

INSTRUCTIONS



WEATHERBRAKE

307022172

FITS

AGCO GT-Series

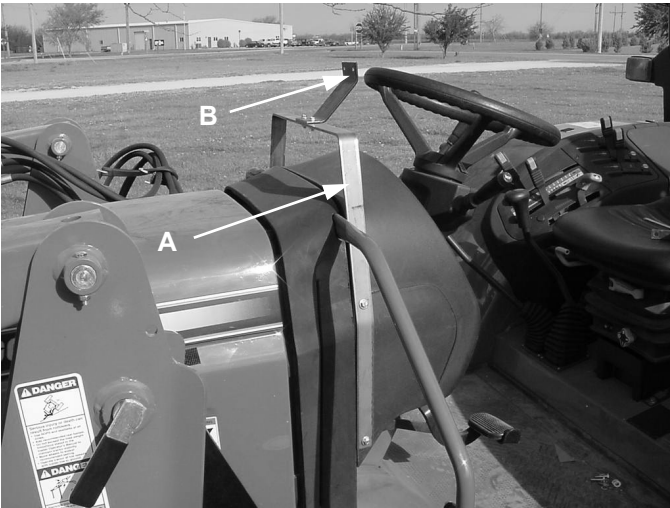


General Offices
1132 W. 1ST STREET
McPherson, KS 67460
Phone: (620) 241-3513
Web: www.femcomfg.com

Form No. 286324100 / 11-2005

IMPORTANT

CAREFULLY STUDY THE PHOTO DIAGRAMS SHOWING THE LOCATION OF EACH PART. LEAVE ALL HARDWARE LOOSE UNTIL INSTRUCTED TO TIGHTEN.

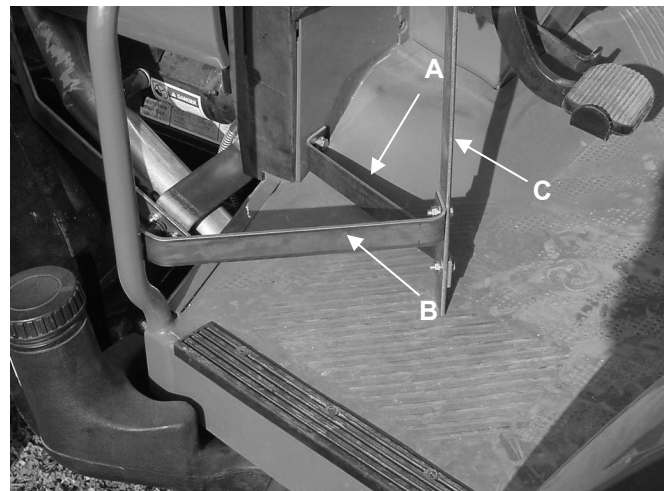


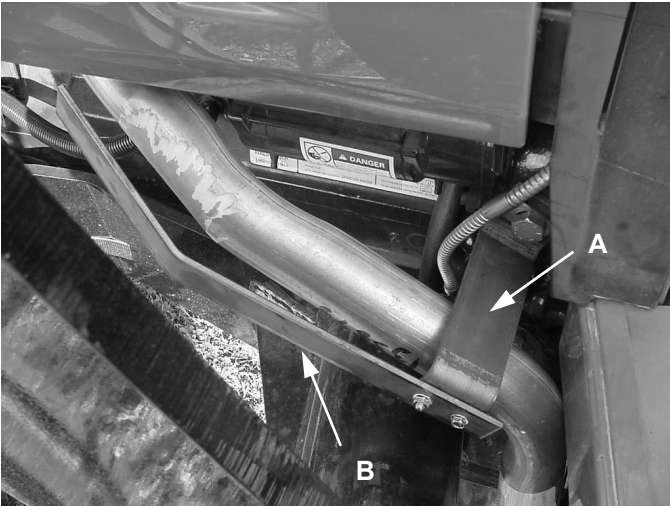
YOKE BRACKETS

1. Remove bolts from dash and attach yoke bracket (A) using same bolts removed.
2. Attach yoke bracket (B) using two (2) 1/4" x 3/4" bolts and nuts
3. Tighten All bolts.

DOOR POST

1. Door post brace (A), remove bolt and attach brace as shown
2. Attach door post brace (B) to bottom of grab handle using a M6 bolt.
3. Attach door post (C) with holes near edge facing to rear to braces using two (2) 1/4" x 3/4" bolts and nuts.
4. Tighten all bolts.





EXHAUST GUARD

1. Remove bolt and attach exhaust guard (A).
2. Attach exhaust guard (B) using two (2) 1/4" x 3/4" bolts and nuts.
3. Tighten all bolts.

MOTOR COVER

1. Arrange motor cover over hood of tractor.
2. Slide 3" hem of motor cover down over top of door post.

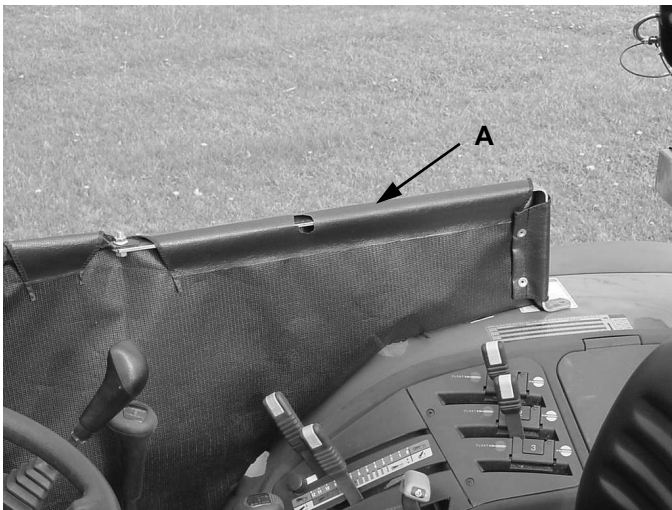


HOOD WEBBING

1. Cut six (6) pieces of webbing 8" long.
2. Tie grommets together as shown.

YOKE

1. Insert yoke (A) into top 3" hem of motor cover.
2. Attach yoke to yoke bracket using two (2) 1/4" x 3/4" bolts and nuts
3. Attach yoke to door post using one (1) 1/4" x 1" bolt and nut. **Note:** Head of bolt inside, nut outside.
4. Tighten **center bolts only**.



SIDE ARM

1. Insert side arm (A) into 3" hem of motor cover.
2. Attach side arm to yoke using one (1) 3/8" x 1" bolt and nut. Note: Head of bolt up, nut down.
3. Drill a 9/32" diameter hole in fender and attach rear of side arm using one (1) 1/4" x 3/4" bolt, fender washer, and nut.
4. Tighten all bolts and snap motor cover around side arm.

DUAL LOCK® is a registered trademark of the 3M Co.

1. Cut plastic Dual Lock® into 2" lengths.
2. Surface must be cleaned with a mild detergent to assure proper application of Dual Lock® strips.

NOTE: Do not peel the backing from the Dual Lock® .

3. Apply cut Dual Lock® to all Dual Lock® sewn to motor cover.
4. Arrange motor cover to tractor. Peel backing from Dual Lock® and apply to tractor. Repeat this procedure for all Dual Lock® .





TIE STRAPS

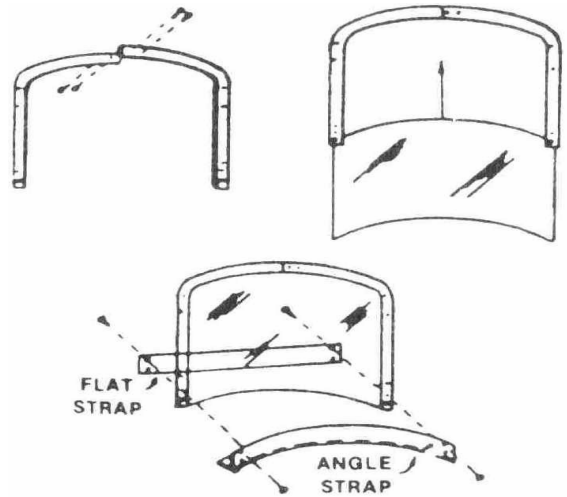
1. Thread cloth strap through grommets at bottom of motor cover and tie.
2. Route cloth straps to other side or to a point on tractor and tie.

IMPORTANT

Cloth straps are not to be attached to any moving, rotating, or heat generating points of tractor. Any excess cloth strap is to be cut off.

WINDSHIELD ASSEMBLY

1. Attach left and right window frames using two (2) #10 x 3/4" bolts and nuts.
2. Slide glass into the channel of the windshield.
3. Attach flat strip and angle strip to the windshield using two (2) #10 x 3/4" bolts and nuts.



WINDSHIELD ATTACHMENT

1. Remove nut from yoke and door post and attach assembled windshield.
2. Attach other side of windshield to yoke using one (1) 1/4" x 1" bolt and nut.
3. Tighten all bolts.



DOORS

1. Locate holes in door post and cut holes in the fabric.
2. Hold door (A) to door post and bottom of the windshield.
3. Mark location of holes in the door post to the door.
4. Cut 5/8" slots next to wire frame of door and attach to door post using four (4) #10 x 3/4" bolts, clips and nuts.
5. Tie door flap (B)
6. Tighten all bolts.



LEFT WINDOW

1. Mark location of holes in windshield to left window (A).
2. Cut 5/8" slots next to wire frame of left window and attach to windshield using two (2) #10 x 3/4" bolts and nuts.
3. About 6" from back of left window at location (B) cut 5/8" slots in left window and door and attach using one (1) #10 x 3/4" bolt, nut & clip.
4. Tighten bolts.

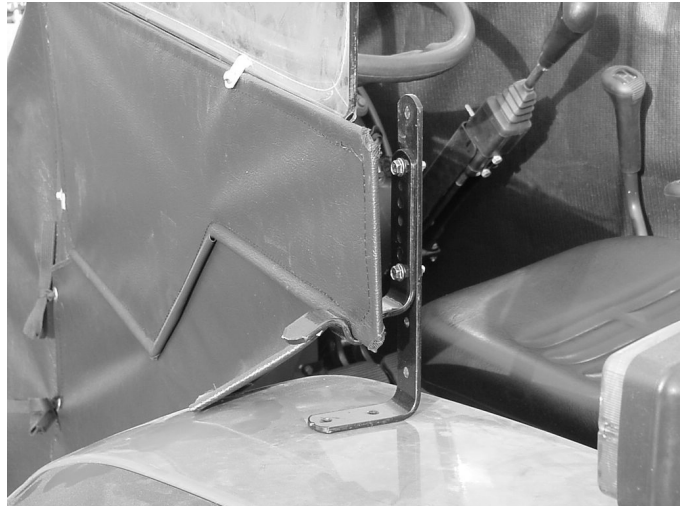
RIGHT WINDOW

1. Right window (A) is to be bent to match configuration of yoke and side arm.
2. Using same procedure as left window, attach right window to windshield.
3. Mark location of hole in side arm to bottom of right window and using same procedure as left window, attach to side arm.
4. Tighten bolts.



DOOR LATCH

1. Assemble door latches as shown using two (2) 1/4" x 3/4" bolts and nuts.
2. Position under bottom rear of door.
3. Door is to be set firmly in loop of door latch. Change position up or down with adjustment holes if necessary.
4. Mark location for one (1) of the two (2) holes and drill one (1) 9/32" diameter hole
5. Attach to fender using one (1) 1/4" x 1" bolt and nut.
6. Tighten all bolts.



NOTES